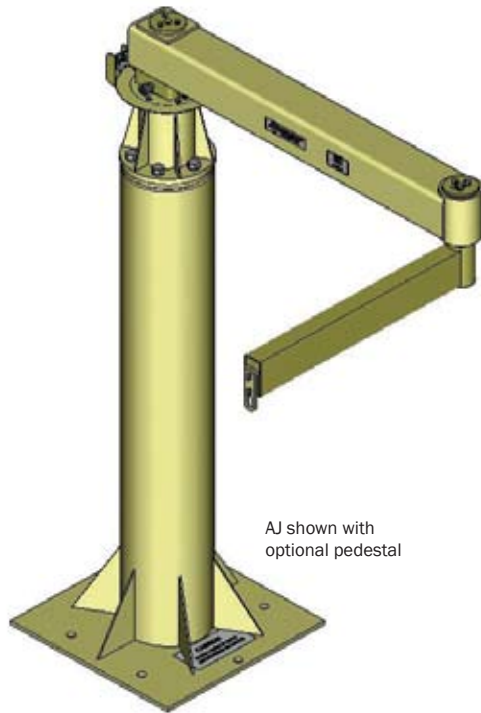


# Articulated Jib Arm



The Conco Articulated Jib Arm (AJ) is a horizontal positioning device used for reaching into inaccessible areas where work cell limitations preclude the use of an XY rail system or manipulator. The Conco Articulated Jib Arm differs from an ordinary jib crane, because it utilizes two 360° pivot arms that enable it to reach into confined areas.

## Standard Features

- Heavy duty construction for long life
- Wide variety of standard lengths and capacities
- Main post friction brake
- Leveling bolts to minimize second arm drift
- Low friction bearings
- Secondary arm can be mounted above primary arm in low overhead clearance applications

## Available Options

- Electric or Air
- Electric collector rings provide 360° rotation  
*Rotation stops are recommended if 360° electric option is not purchased*
- Air: swivels provide 360° rotation
- Air filter/regulator option
- Primary and/or secondary Friction Brake
- Mounting Options: overhead, trolley, pedestal, wall mount or mobile/portable base
- Air or Electric Hoist or Balancer

Model	Capacity* (lbs/ kg)	Reach (ft/ m)
<b>Light Series (std. pedestal 90")</b>		
AJ310-8	310/141	8/2.44
AJ280-9	280/127	9/2.74
AJ250-10	250/114	10/3.05
AJ230-11	230/105	11/3.35
AJ210-12	210/96	12/3.66
AJ190-13	190/86	13/3.96
AJ180-14	180/82	14/4.27
AJ170-15	170/77	15/4.57
<b>Standard Series (Std. Pedestal 98")</b>		
AJ1250-8	1250/568	8/2.44
AJ1110-9	1100/505	9/2.74
AJ1000-10	1000/455	10/3.05
AJ910-11	910/414	11/3.35
AJ835-12	835/380	12/3.66
AJ770-13	770/350	13/3.96
AJ715-14	715/325	14/4.27
AJ665-15	665/302	15/4.57
AJ615-16	615/280	16/4.88
<b>Heavy Series (Std. Pedestal 98")</b>		
AJ2000-8	2000/909	8/2.44
AJ1785-9	1785/811	9/2.74
AJ1600-10	1600/727	10/3.05
AJ1460-11	1460/664	11/3.35
AJ1340-12	1340/609	12/3.66
AJ1256-13	1256/571	13/3.96
AJ1150-14	1150/523	14/4.27
AJ1071-15	1071/487	15/4.57
AJ1000-16	1000/455	16/4.88

\*Includes payload and end-effector

